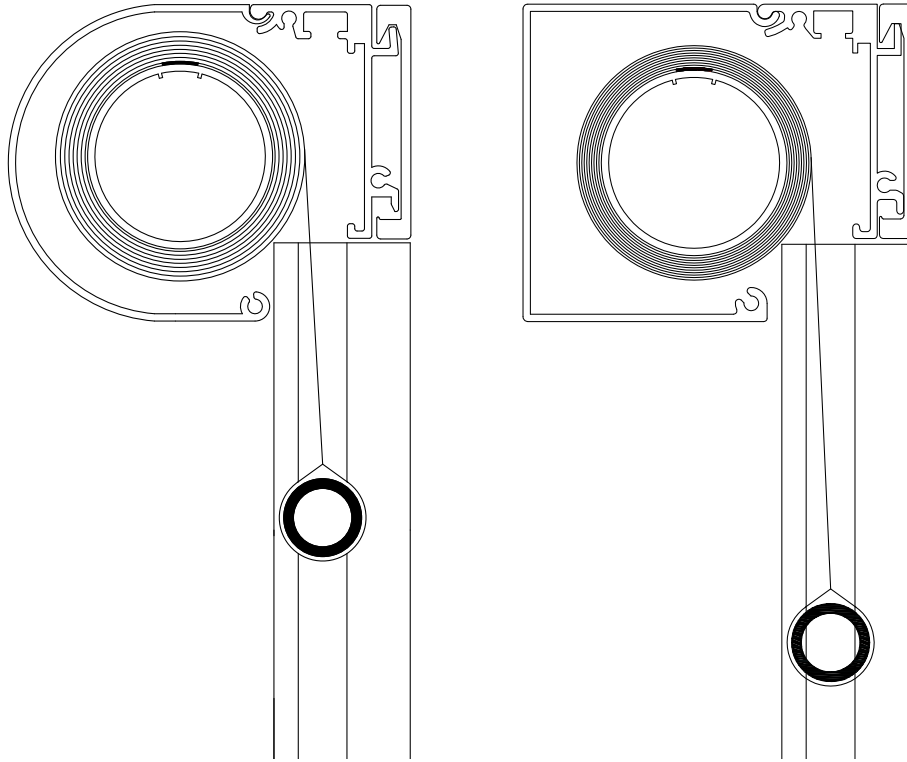


SCREEN SYSTEM 65



Fischer[®]



SPECIFICATIONS

CASSETTE	Extruded aluminium, D-shaped 65 mm and square 65 mm.
BOTTOM BAR	Extruded aluminium, Ø16 concealed within the textile.
SIDE BAR	Extruded aluminium, 27 x 30 mm or 5 mm stainless steel rod.
SYSTEM COLOUR	Standard anodised, white RAL 9010 or black RAL 9005. RAL special colour is available on request.
TEXTILE	PVC-coated fibreglass. Colour according to collection.
OPERATION	Tape operation or 230V motor.
GUIDING DIMENSIONS	Tape operation or motor: Max. width 200 cm max. height 160 cm*.

*Using a special textile can enhance the maximum height.