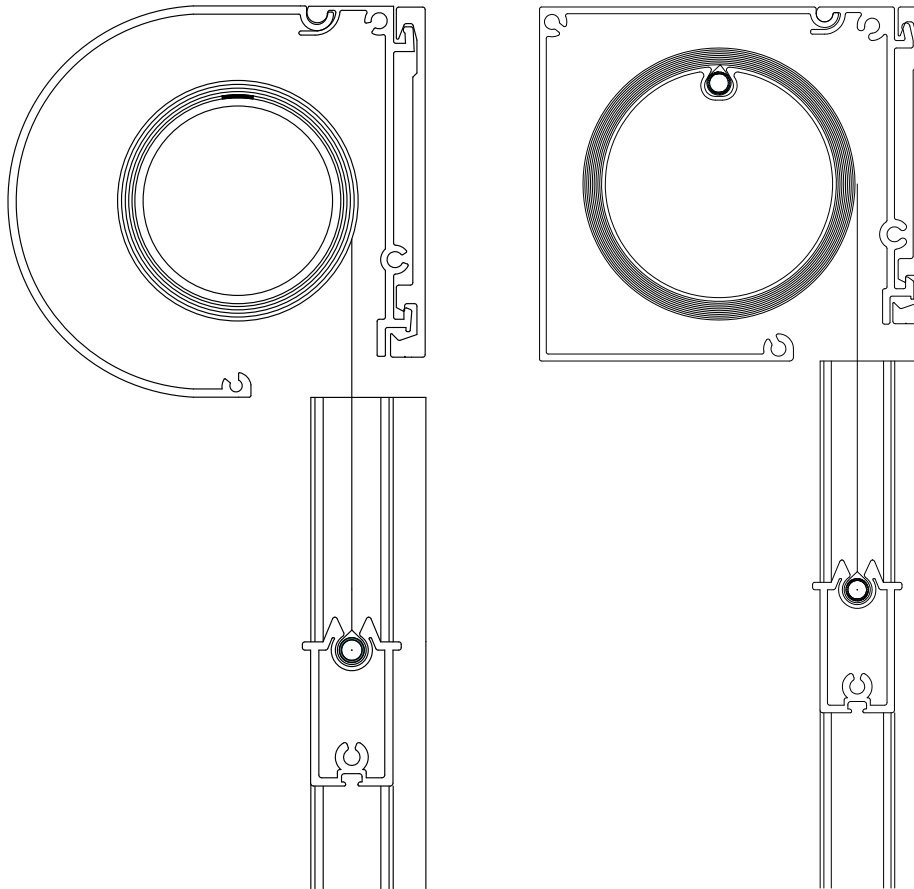


BLACKOUT SYSTEM 95



Fischer[®]

BLACKOUT SYSTEM 95



SPECIFICATIONS

CASSETTE Extruded aluminium, D-shaped 95 mm and square 95 mm.

BOTTOM BAR Extruded aluminium, 20 x 41 mm.

SIDE BAR Extruded aluminium, 62 x 27 mm.

PROFILE COLOUR Standard RAL 9010 or anodised.
Special RAL colours can be provided.

TEXTILE PVC-coated fibreglass. Colour and quality according to the collection.

OPERATION Tape operation, wand or 230V motor.

GUIDING DIMENSIONS

Tape operation:	Max. width 300 cm	Max. height 250 cm.
Wand:	Max. width 280 cm	Max. height 250 cm.
Motor:	Max. width 330 cm	Max. height 325 cm.

Maximum width can be increased for motorised units by serial coupling of several units.