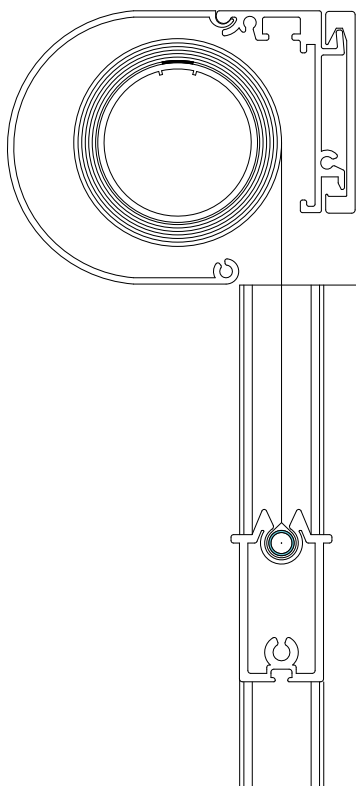


BLACKOUT SYSTEM 65



Fischer[®]



SPECIFICATIONS

CASSETTE Extruded aluminium, D-shaped 65 mm.

BOTTOM BAR Extruded aluminium, 20 x 41 mm.

SIDE BAR Extruded aluminium, 62 x 27 mm.

PROFILE COLOUR Standard RAL 9010 or anodised.
Special RAL colours can be provided.

TEXTILE PVC-coated fibreglass. Colour and quality according to collection.

OPERATION Tape operation or 230V motor.

GUIDING DIMENSIONS
Tape operation: Max width 200 cm Max height 180 cm.
Motor: Max width 200 cm Max height 180 cm.
Maximum width can be increased for motorised units by serial coupling of several units.