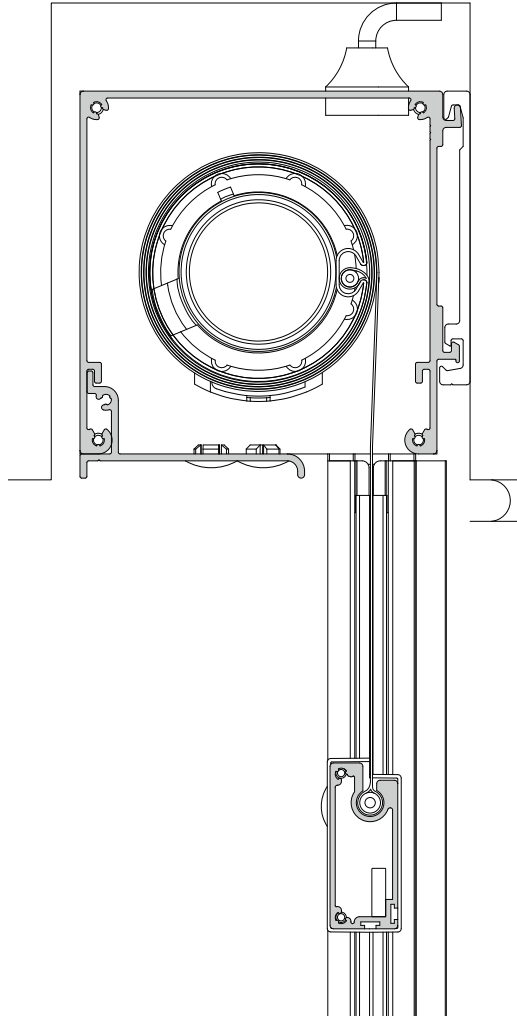


SCREEN ZIP SZ 105 i



Fischer[®]

SCREEN ZIP SZ 105 i



SPECIFICATIONS

CASSETTE	Extruded aluminium, square, H: 112 mm, D: 113 mm.
BOTTOM BAR	Extruded aluminium, 20 x 48 mm.
SIDE BAR	Extruded aluminium, 35 x 34 mm.
SYSTEM COLOUR	ANODISED: Natural, WHITE: RAL 9010 gloss 70, WHITE: RAL 9010 textured, BLACK: RAL 9005 gloss 70, BLACK: RAL 9005 textured or ANTHRACITE: Noir 2100 Sable. RAL special colours are available on request.
TEXTILE	PVC-coated fibreglass. Colour according to collection.
OPERATION	230V motor.
MOUNTING	Brackets or self-supporting.
GUIDING DIMENSIONS	Motor: Max width 300 cm max height 330 cm.