

FOLDING BLIND SKYLIGHT

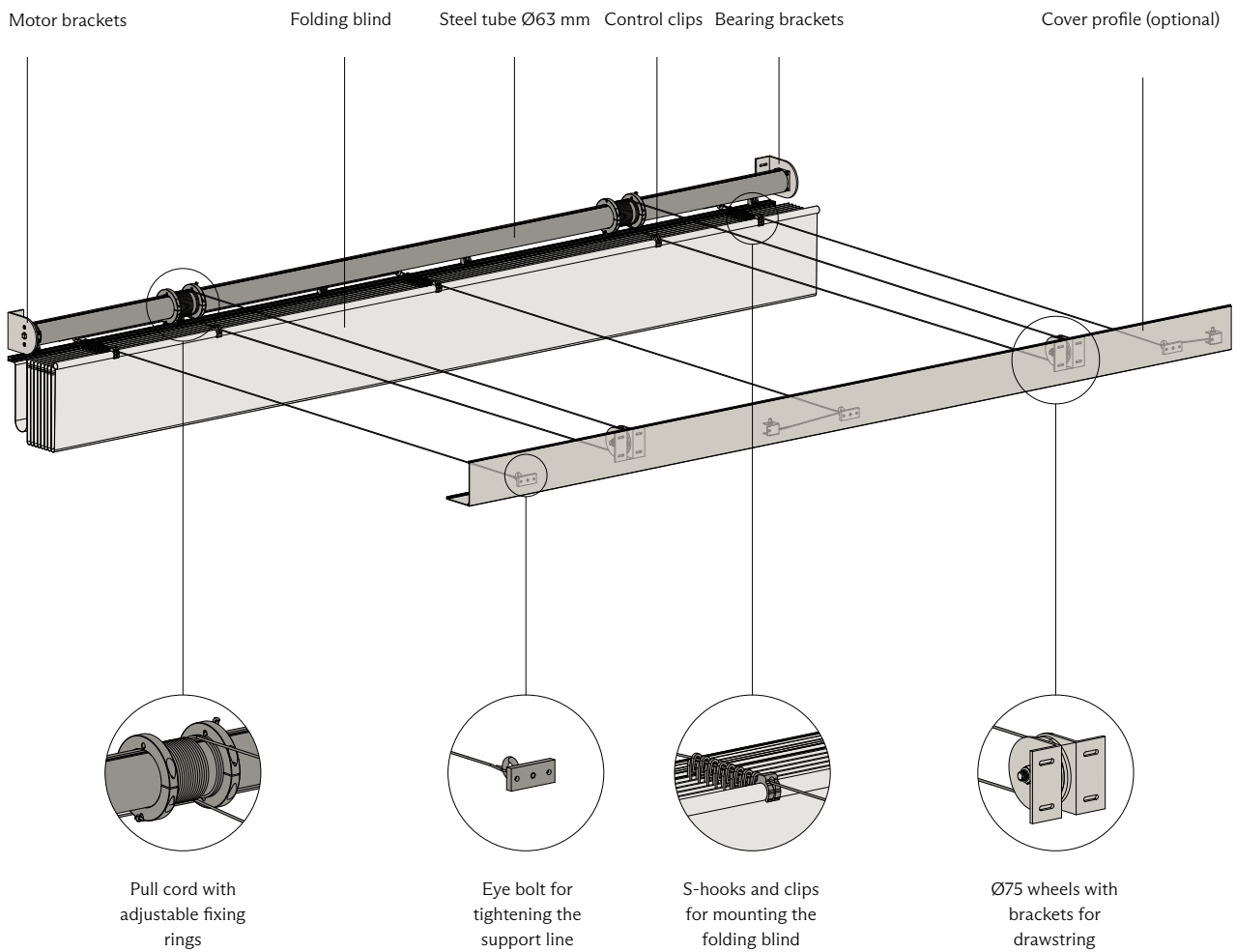


FOLDING BLIND SKYLIGHT

ABOUT FOLDING BLIND SKYLIGHT

Folding Blind Skylight is a motorised folding blind designed to enhance large spaces with skylights. Adaptable to the window size, this system is ideal for projects needing a robust, motorised blind solution for both new and existing structures.

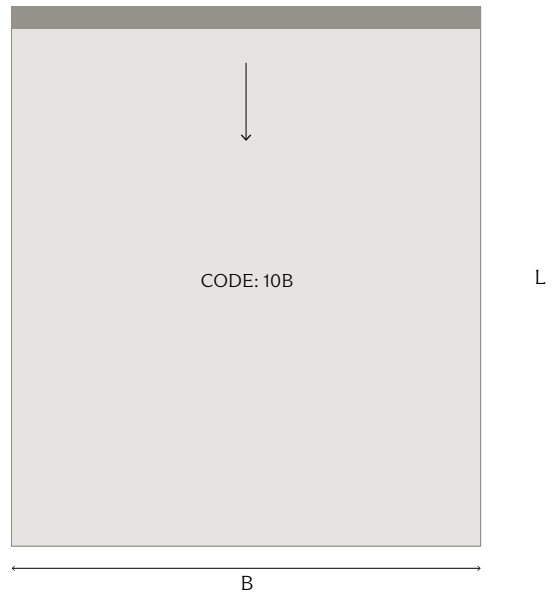
Designed with practical functionality and technical efficiency in mind, Folding Blind Skylight tackles the complex challenge of managing light and indoor climate in large glass-covered areas. The motorised system is easy and convenient to operate, and with its well-thought-out design, the system ensures reliable and efficient handling of daylight and indoor climate in all larger indoor areas.



FOLDING BLIND SKYLIGHT

DESIGN TYPE STRAIGHT

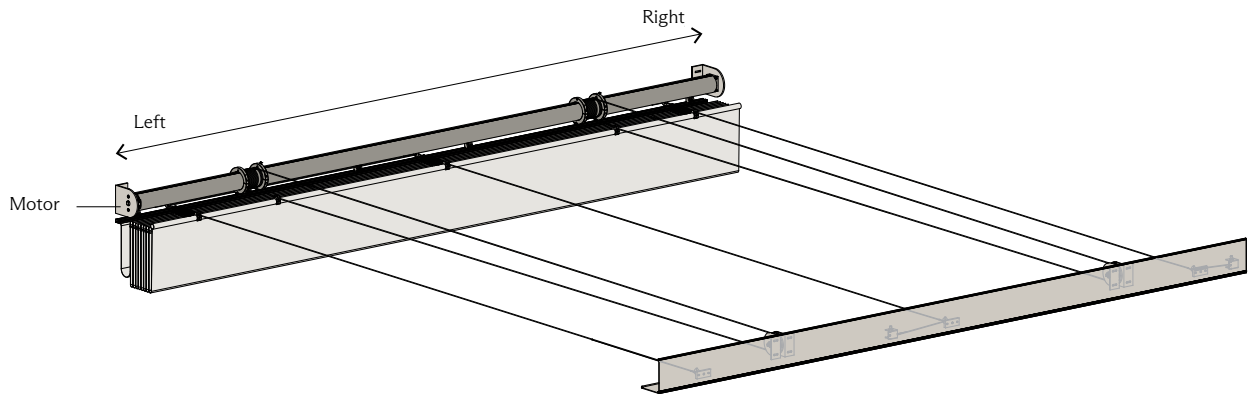
Folding Blind Skylight comes in a classic rectangular design, perfect for traditionally shaped skylights. The visualisation shows the blind from above/outside.



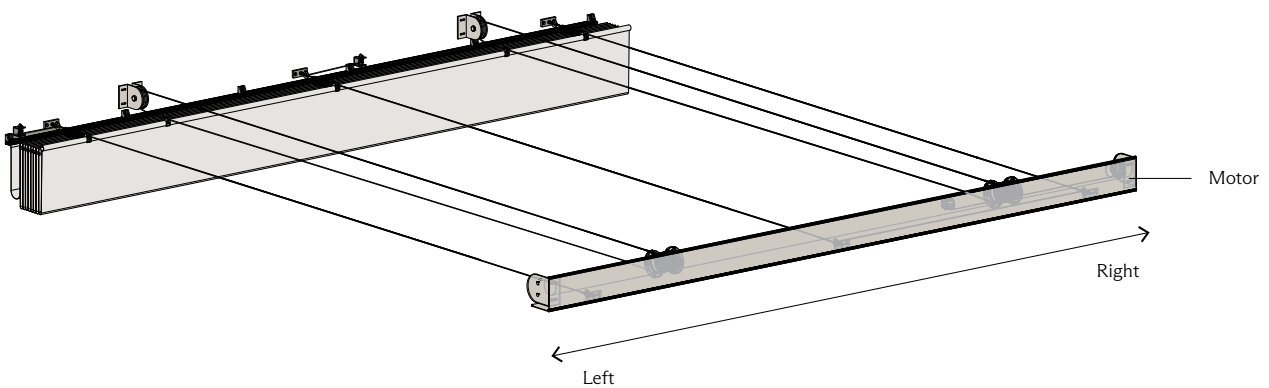
OPERATION

Folding Blind Skylight features a motorised system that provides flexible operation through a remote control, a simple switch, or a fully automated setup. The blinds glide smoothly and effortlessly on a robust and durable nylon line. For additional customisation, the motor tube can be placed at either end of the system (A or B placement), with the motor positioned on the side you prefer (right or left).

MOTOR PLACEMENT A



MOTOR PLACEMENT B

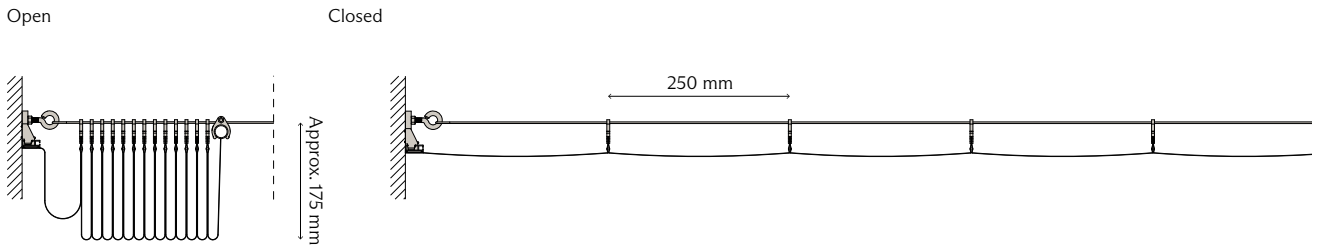


FOLDING BLIND SKYLIGHT

FOLDS

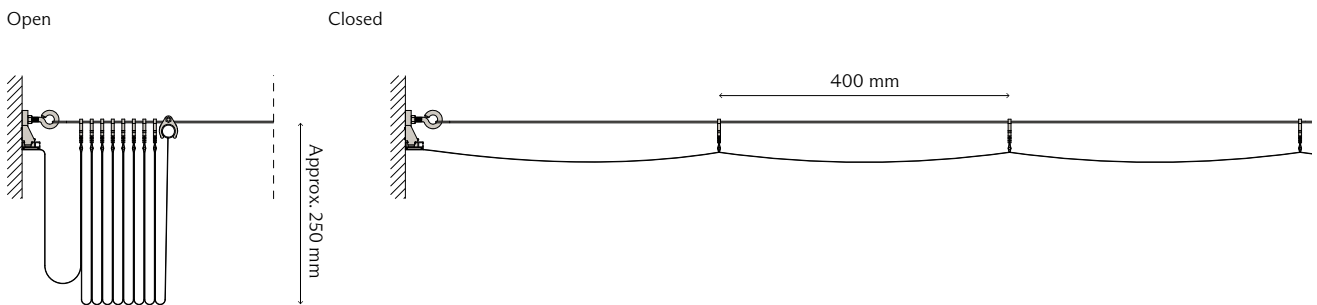
The fabric is meticulously folded at regular intervals of either 250 mm or 400 mm and is provided with an inserted stiffener to ensure a smooth and consistent form. Each fold is equipped with S-hooks that attach to the tightly stretched support lines, placed at intervals of approximately 100 cm. These hooks facilitate seamless gliding along the support line when the blind is opened or closed, ensuring fluid and silent movement.

250 MM FOLDS



Indicative width when closed: approximately 18 cm for a 1-meter projection and approximately 24 cm for a 3-meter projection.

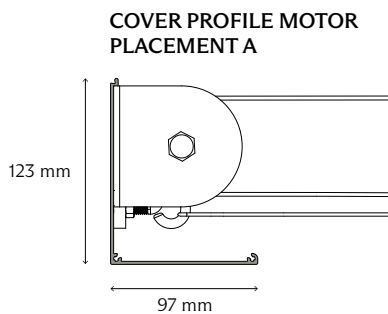
400 MM FOLDS



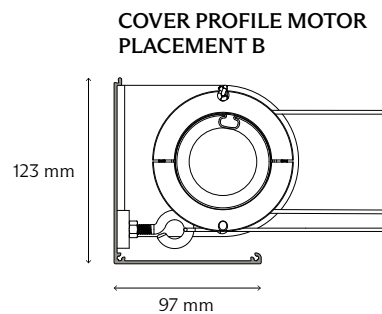
Indicative width when closed: approximately 17 cm for a 1-meter projection and approximately 20 cm for a 3-meter projection.

OPTIONS

For a sleek and elegant appearance, we recommend the cover profile for Folding Blind Skylight. This sophisticated option conceals the system's fixtures at the ends, ensuring that only the beautiful design of the blinds is visible.




Cover profile on one side with wheel bracket, motor placement 'A'.



Cover profile on side with motor bracket, motor placement 'B'.

FOLDING BLIND SKYLIGHT

PRODUCT SPECIFICATIONS

STRAIGHT	FOLD SIZE	OPERATION	CODE	MAX. WIDTH	MAX. LENGTH	MAX. LENGTH
					FABRIC WEIGHT ≥ 185 G/M ²	FABRIC WEIGHT < 185 G/M ²
	Medium 250 mm	Motor	M-10B	600 cm	300 cm	400 cm
	Large 400 mm	Motor	L-10B	600 cm	300 cm	400 cm

MATERIAL SPECIFICATIONS

MOTOR TUBE	Galvanised steel tube with optional powder coating.
FIXING RINGS & FRONT TUBE	Extruded or made from 100% aluminium.
BRACKETS & COVER PROFILES	Extruded or made from 100% aluminium. Powder coated in white, black, or grey with the option for special RAL colour.
FABRIC	Can be made in light fabrics according to the collection for the respective system, with options for aluminium coating or blackout alternatives.
PULL CORD	Polyester
SUPPORT LINE	Nylon
S-HOOKS & CLIPS	Plastic in white or black