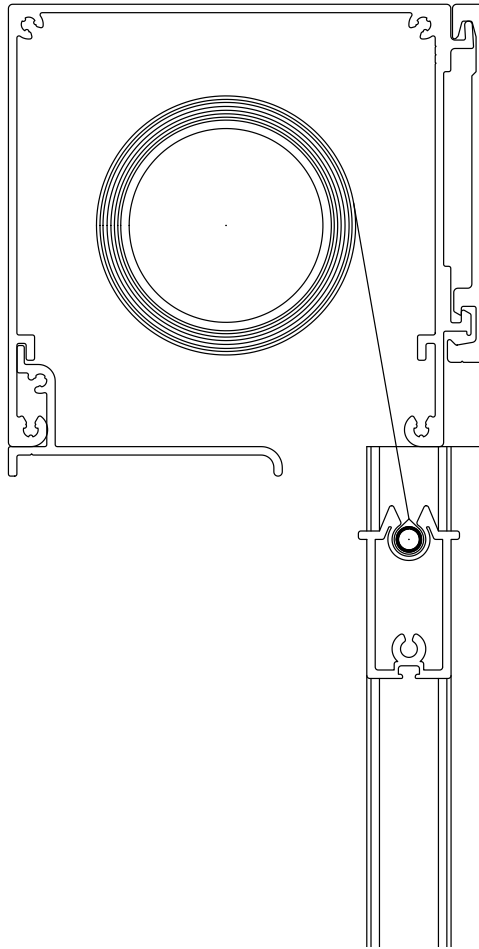


BLACKOUT SYSTEM 105 I



Fischer[®]

BLACKOUT SYSTEM 105 I



SPECIFICATIONS

CASSETTE Extruded aluminium, square 105 mm.

BOTTOM BAR Extruded aluminium, 20 x 41 mm.

SIDE BAR Extruded aluminium, 62 x 27 mm.

PROFILE COLOUR Standard RAL 9010 or anodised.
Special RAL colours can be provided.

TEXTILE PVC-coated fibreglass. Colour and quality according to the collection.

OPERATION 230V motor.

MOUNTING Brackets or self-supporting by side guides.

GUIDING DIMENSIONS Motor: Max width 330 cm Max height 325 cm.
Maximum width can be increased for motorised units by serial coupling of several units.