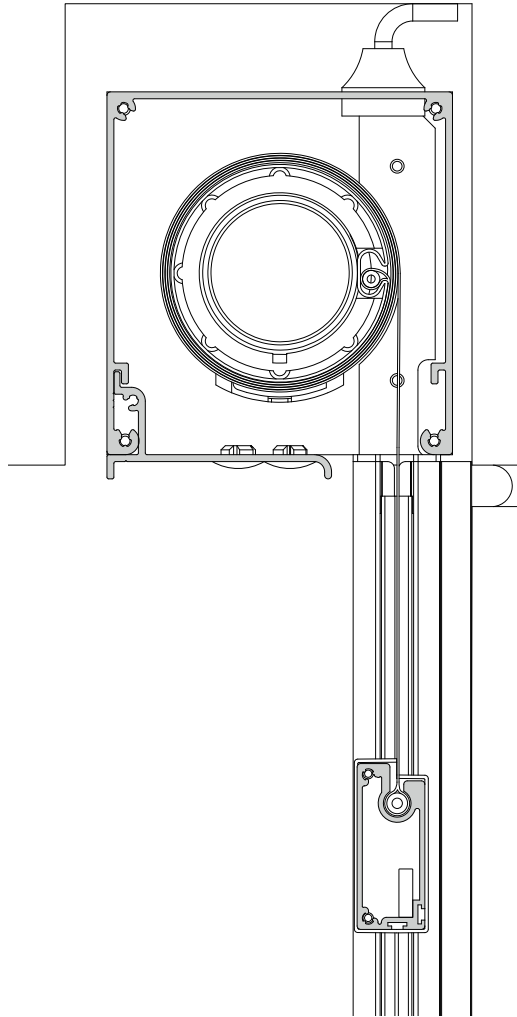


SCREEN ZIP SZ 100 i



Fischer[®]

SCREEN ZIP SZ 100 i



SPECIFICATIONS

CASSETTE Extruded aluminium, square, H: 112 mm, D: 100 mm.

BOTTOM BAR Extruded aluminium, 20 x 48 mm.

SIDE BAR Extruded aluminium, 35 x 34 mm.

SYSTEM COLOUR ANODISED: Natural, WHITE: RAL 9010 gloss 70, WHITE: RAL 9010 textured, BLACK: RAL 9005 gloss 70, BLACK: RAL 9005 textured or ANTHRACITE: Noir 2100 Sable. RAL special colours are available on request.

TEXTILE PVC-coated fibreglass. Colour according to collection.

OPERATION 230V motor.

MOUNTING Self-supporting.

GUIDING DIMENSIONS Motor:
Max width 300 cm, max height 330 cm.