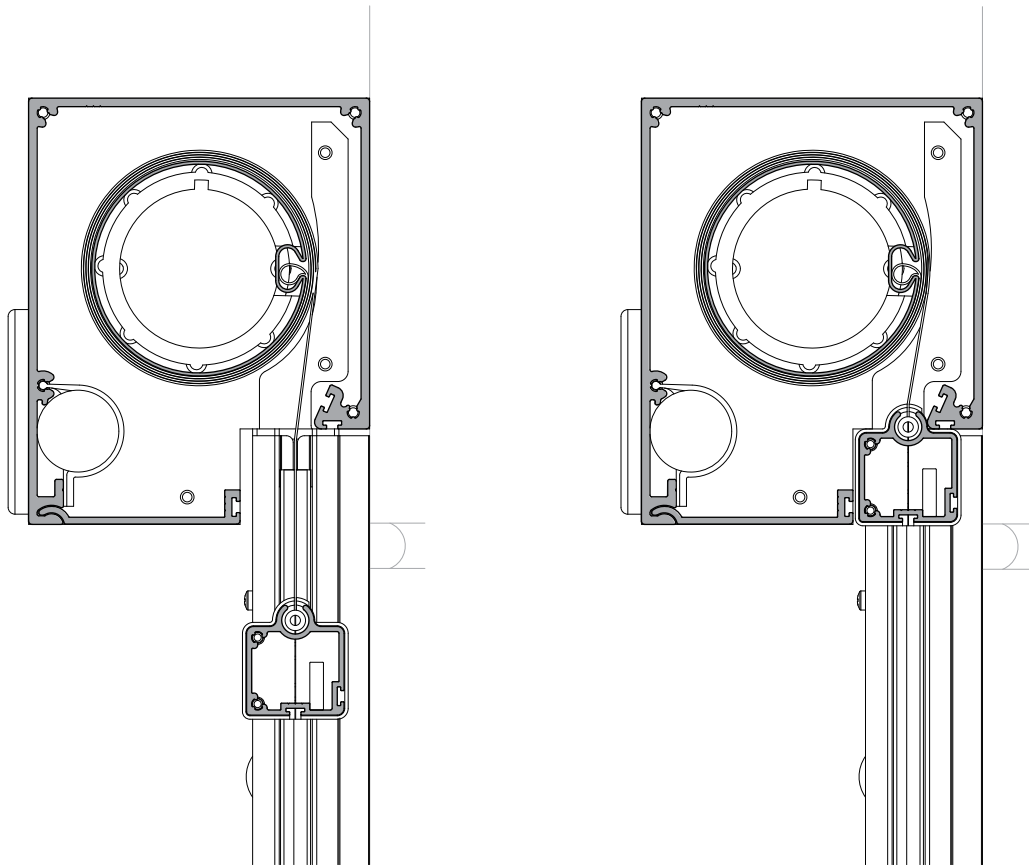


# SCREEN ZIP SZ 125 solar



*Fischer*<sup>®</sup>



## SPECIFICATIONS

CASSETTE	Extruded aluminium, square, H: 125, D: 100 mm.	
BOTTOM BAR	Extruded aluminium, 29 x 26 mm.	
SIDE BAR	Extruded aluminium, 35 x 34 mm.	
SYSTEM COLOUR	WHITE: RAL 9010 textured, BLACK: RAL 9005 textured or ANTHRACITE: RAL 7016 textured. RAL special colours are available on request.	
TEXTILE	PVC-coated fibreglass. Colour according to collection.	
OPERATION	12 V battery built-in and powered by solar panel.	
MOUNTING	Self-supporting.	
GUIDING DIMENSIONS	Motor: Max width 300 cm,	max height 330 cm.