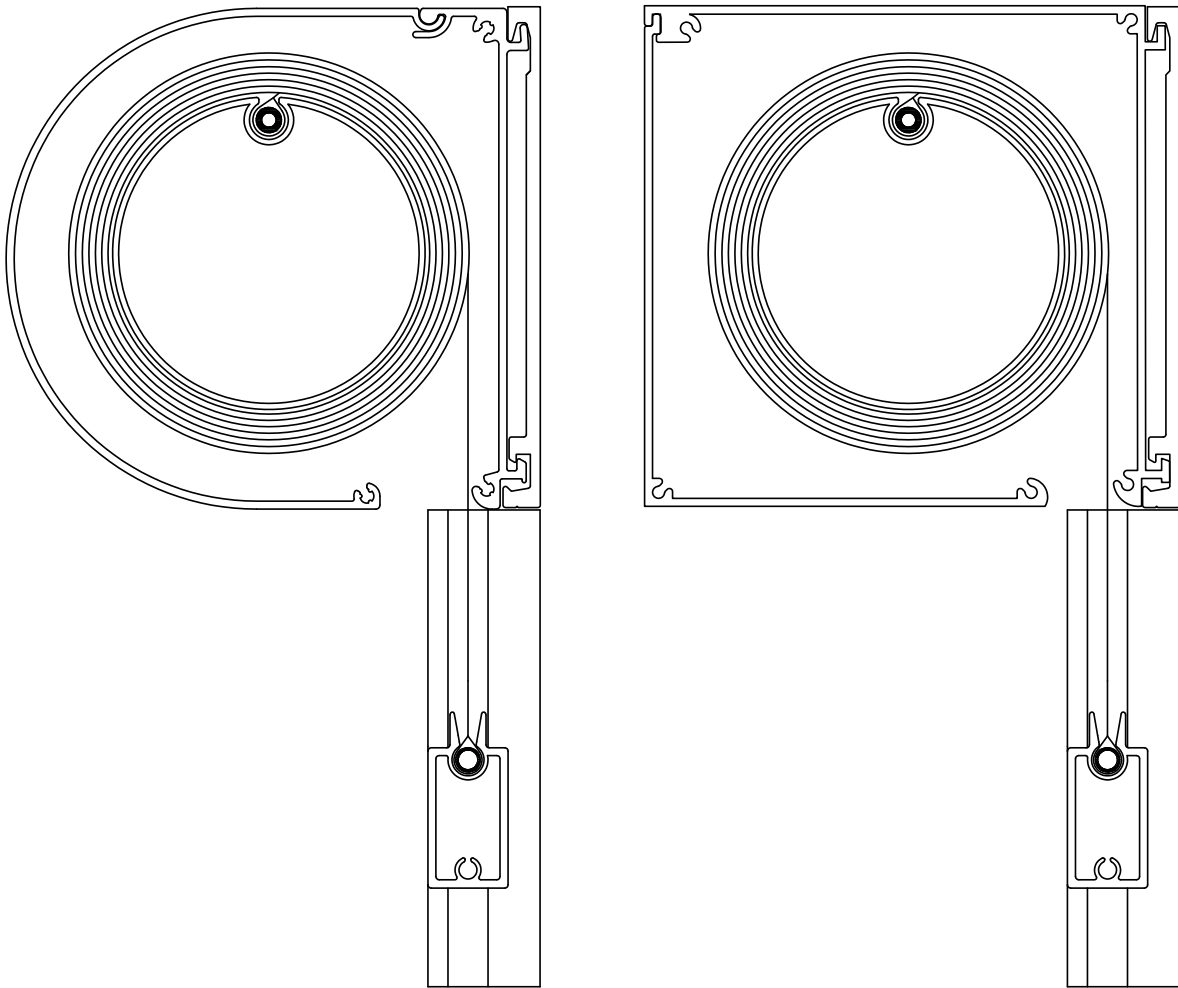


# SCREEN SYSTEM 125



*Fischer*<sup>®</sup>



## SPECIFICATIONS

CASSETTE Extruded aluminium, D-shaped 125 mm and square 125 mm.

BOTTOM BAR Extruded aluminium, 20 x 41 mm.

SIDE BAR Extruded aluminium, 27 x 30 mm.

SYSTEM COLOUR Standard anodised, white RAL 9010 or black RAL 9005.  
RAL special colour is available on request.

TEXTILE PVC-coated fibreglass. Colour according to collection.

OPERATION External or internal wand or 230V motor.

GUIDING DIMENSIONS	External wand:	Max width 330 cm	max height 300 cm.
	Internal wand:	Max width 280 cm	max height 250 cm.
	Motor:	Max width 370 cm*	max height 400 cm.

\*The maximum width can be expanded by serially connecting up to two units.