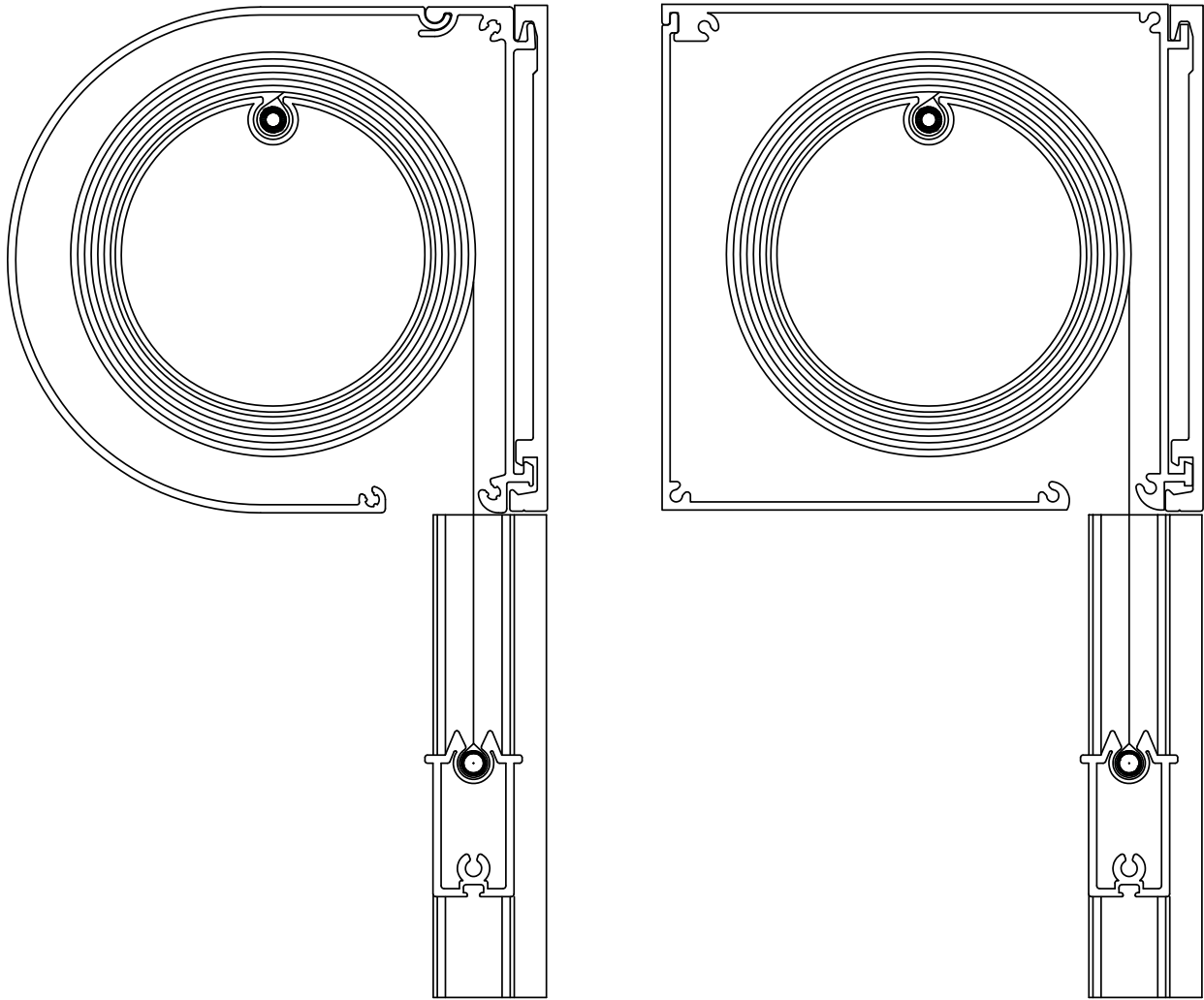


BLACKOUT SYSTEM 125



Fischer[®]



SPECIFICATIONS

CASSETTE Extruded aluminium, D-shaped 125 mm and square 125 mm.

BOTTOM BAR Extruded aluminium, 20 x 41 mm.

SIDE GUIDE Extruded aluminium, 62 x 27 mm.

PROFILE COLOUR Standard RAL 9010 or anodised
Special RAL colours can be provided.

TEXTILE PVC-coated fibreglass. Colour and quality according to the collection.

OPERATION Wand or 230V motor.

GUIDING DIMENSIONS
Wand: Max width 400 cm, Max height 300 cm.
Motor: Max width 425 cm, Max height 500 cm.
Maximum width can be increased for motorised units by serial coupling of several units.