

ROLLER BLIND SKYLIGHT



Fischer[®]

ROLLER BLIND SKYLIGHT

ABOUT ROLLER BLIND SKYLIGHT

Roller Blind Skylight provides a cutting-edge, motorised solution for shading skylight windows. Using spring-loaded boxes, which are mounted either on the window frame or the wall, the system is carefully designed to provide a tight and effective solar shading.

Beyond its functional benefits, Roller Blind Skylight elevates the aesthetics of any space where comfort, control, and design are paramount. Available in black, white, and custom RAL colours, the system can be tailored to match unique interiors, achieving a perfect blend of style, form, and function.

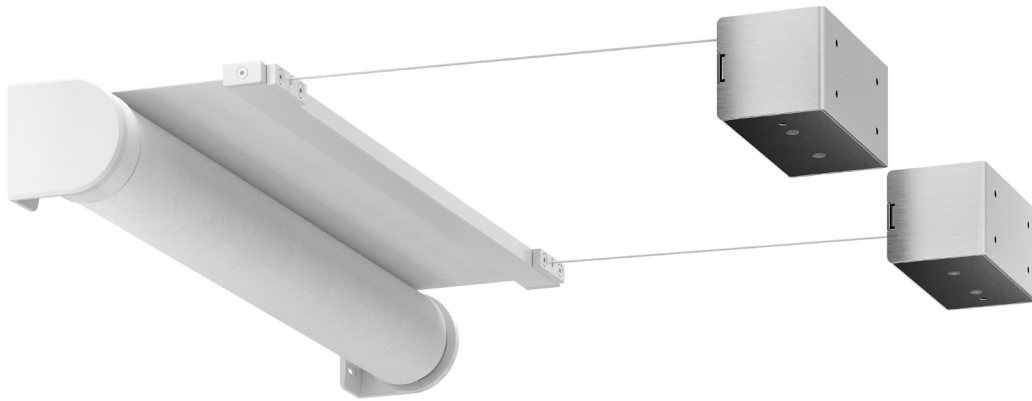
Roller Blind Skylight efficiently and stylishly manages the natural light from any type of skylight window.

TYPES

Choose between two types: OPEN or BOX.

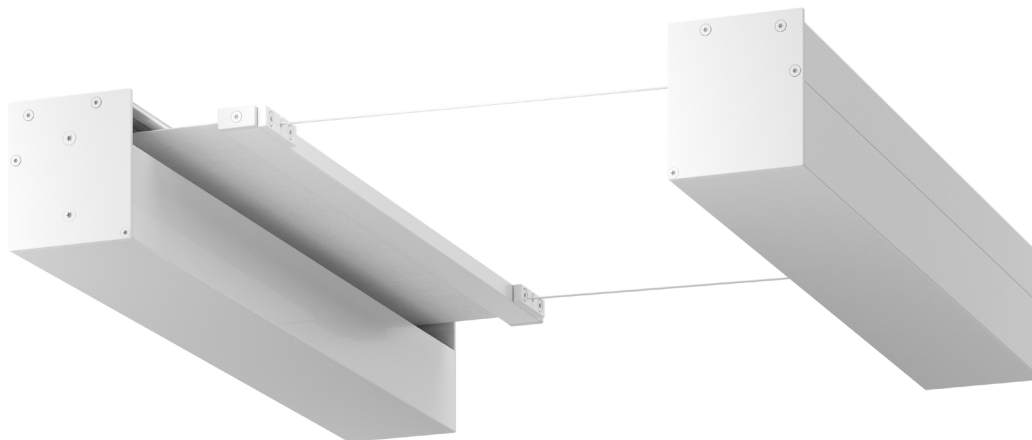
OPEN

A sleek and practical sun shading solution mounted on brackets. Perfect for those seeking a classic roller blind with visible mechanics that take up minimal space.



BOX

The roller blind mechanics are elegantly encapsulated in a square cassette at both ends, offering a clean and polished aesthetic that complements modern home interiors. Additionally, the BOX model provides an added cover of the system.



ROLLER BLIND SKYLIGHT

OPERATION

Roller Blind Skylight offers motorised shading for skylights.

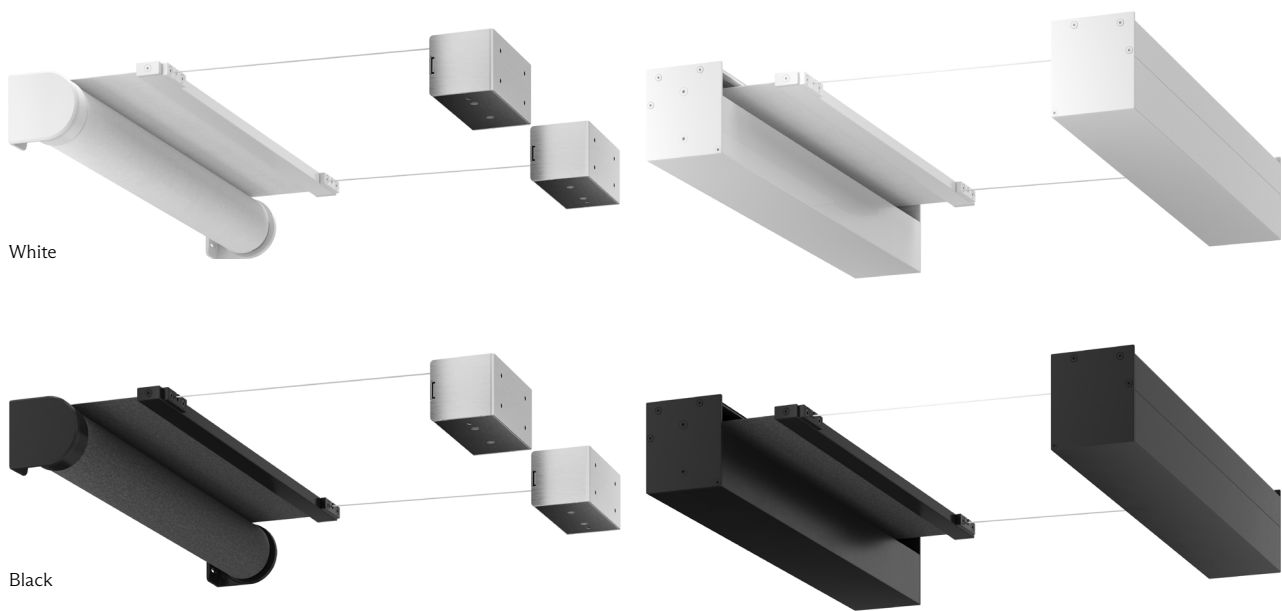
230V MOTOR

The Roller Blind Skylight features high-quality 230V wired motors from for example Somfy. These motors can be integrated with existing building controls systems and can even turn private residences into smart homes, controlled via an app, with the addition of a TaHoma box. Offering options for automation, via remote control or app-based operation, these roller blinds are designed to enhance everyday comfort.

The motors in the OPEN model are housed in refined metal enclosures to complement the system's colour scheme.

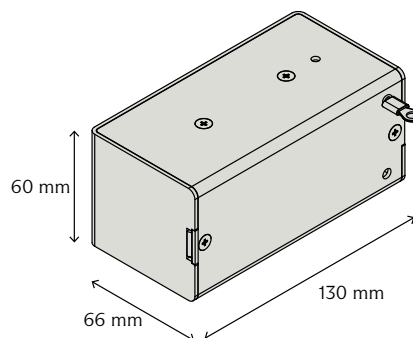
SYSTEM COLOURS

Select the standard colours, white or black, to easily match Roller Blind Skylight with window frames and the overall room décor. For a more personalised solution, select the metal parts in a special RAL colour (excluding the spring-tension boxes).



SPRING-TENSION BOXES

Both variants of Roller Blind Skylight are equipped with robust spring-tension boxes, guaranteeing consistent fabric tension and a smooth, uniform surface. The design of the Roller Blind Skylight requires at least two spring-tension boxes, depending on window size, to guarantee stable and balanced operation. In the BOX type, the spring-tension box is elegantly concealed within a paintable cassette.



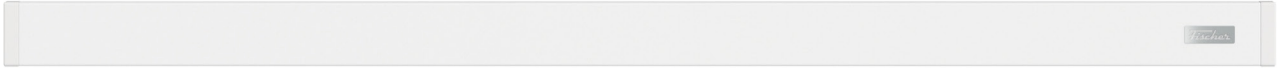
ROLLER BLIND SKYLIGHT

FINISH

The Roller Blind Skylight features a visible bottom list.

VISIBLE BOTTOM LIST

Visible bottom list (12 x 25 mm): an external bottom list in a rectangular design with metal end caps in white, black, or silver. The bottom list can be customised in any RAL colour.



White bottom list



Black bottom list



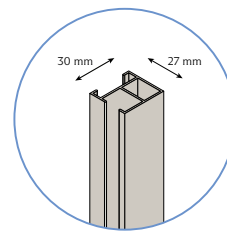
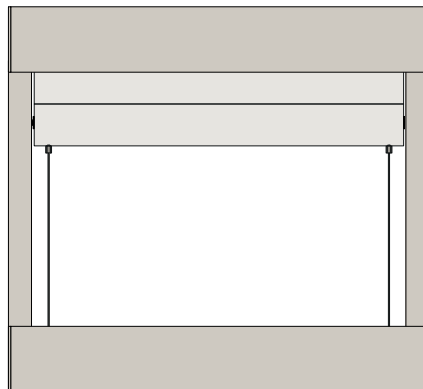
Silver bottom list

OPTIONS

For increased stability, consider horizontal guidance through aluminium side guides, available in white or black. In this setup, the bottom list will be a hidden and integrated tube, sewn/welded in the fabric.

SIDE GUIDES

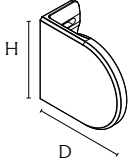
The side guides enhance stability and reduce light penetration along the system's edges. But if blackout is needed, we refer to Fischer Blackout systems. The side guides are exclusively available with the BOX model.

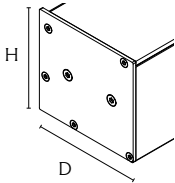


Side guide

ROLLER BLIND SKYLIGHT

PRODUCT SPECIFICATIONS

ROLLER BLIND SKYLIGHT OPEN	DIMENSION HEIGHT & DEPTH IN MM	SYSTEM SIZE	OPERATION	CODE	MINIMUM WIDTH IN CM	MAXIMUM HEIGHT IN CM	MAXIMUM WIDTH IN CM	HORIZONTAL GUIDANCE OPTION	SYSTEM COLOURS
	H: 70 mm D: 77 mm	Large 50 mm tube Width: ≤ 300cm	230V motor	L-10B	85	300	300	-	White
									Black

ROLLER BLIND SKYLIGHT BOX	DIMENSION HEIGHT & DEPTH IN MM	SYSTEM SIZE	OPERATION	CODE	MINIMUM WIDTH IN CM	MAXIMUM HEIGHT IN CM	MAXIMUM WIDTH IN CM	HORIZONTAL GUIDANCE OPTION	SYSTEM COLOURS
	H: 95 mm D: 103 mm	Large 50 mm tube Width: ≤ 300cm	230V motor	L-40B	85	300	300	Profile	White
									Black

MATERIAL SPECIFICATIONS

TUBES	Rolled from steel.
PROFILES, BOTTOM LISTS & END CAPS	Extruded or machined in 100% aluminium.
BRACKETS, MOTOR COVERS & END PLUGS	Made of high-quality metal alloys.
SPRING-TENSION BOX	Stainless steel.
FABRIC	Includes polyester, cotton, fiberglass, and PVC according to the current collection.
PLASTIC COMPONENTS	Varying types of plastic are used specifically to meet each component's functional requirements.