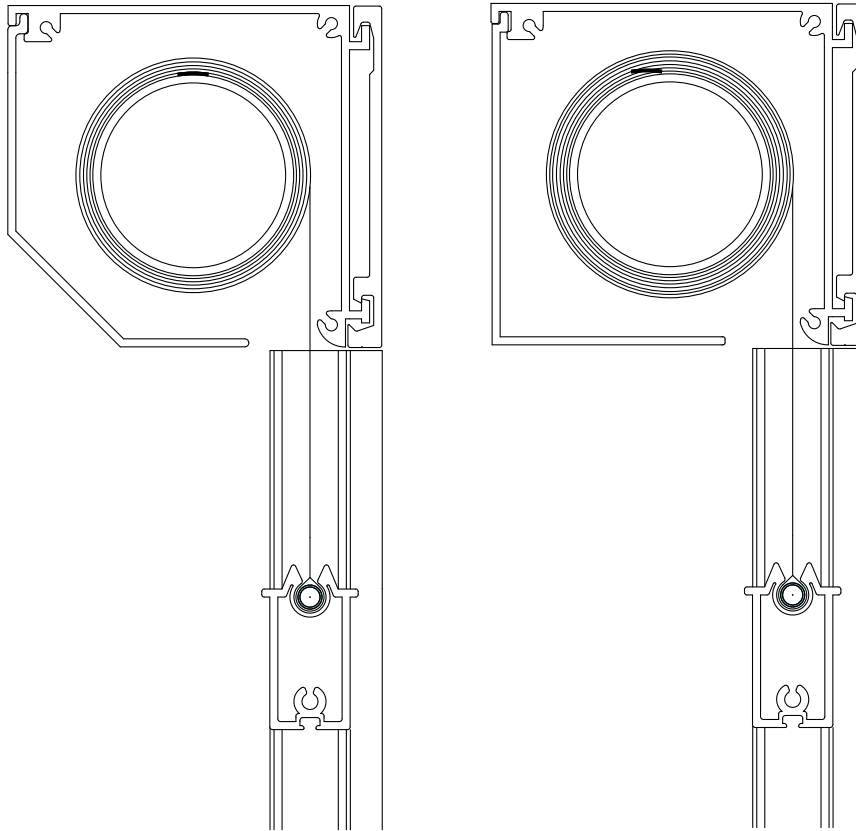


# SCREEN SYSTEM 85



*Fischer*<sup>®</sup>

# SCREEN SYSTEM 85



## SPECIFICATIONS

|                    |   |                   |                    |
|--------------------|---|-------------------|--------------------|
| CASSETTE           | Extruded aluminium, 85 mm angled or 85 mm square.   |                   |                    |
| BOTTOM BAR         | Extruded aluminium, 20 x 41 mm.   |                   |                    |
| SIDE BAR           | Extruded aluminium, 27 x 30 mm.   |                   |                    |
| SYSTEM COLOUR      | Standard anodised, white RAL 9010 or black RAL 9005.<br>RAL special colour is available on request. |                   |                    |
| TEXTILE            | PVC-coated fibreglass. Colour according to collection.  |                   |                    |
| OPERATION          | Tape operation, external or internal wand, or 230V motor.   |                   |                    |
| GUIDING DIMENSIONS | Tape operation:   | Max width 280 cm  | max height 240 cm. |
|                    | External wand:  | Max width 280 cm  | max height 250 cm. |
|                    | Internal wand:  | Max width 280 cm  | max height 250 cm. |
|                    | Motor:  | Max width 300 cm* | max height 300 cm. |

\*The maximum width can be expanded by serially connecting up to two units.

**Fischer**<sup>®</sup>