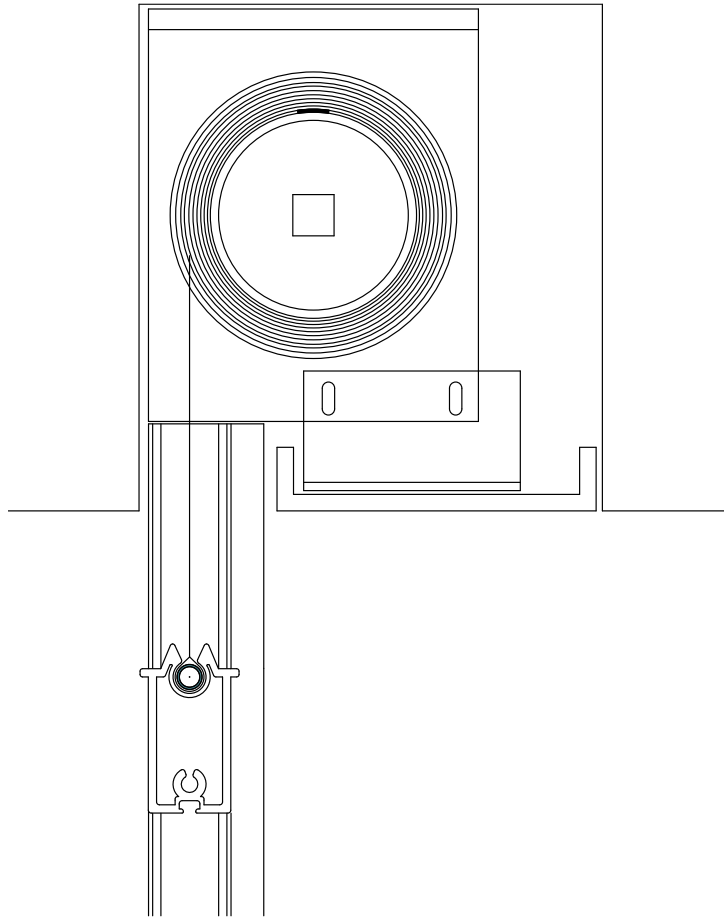


# BLACKOUT SYSTEM BUILD-IN



*Fischer*<sup>®</sup>

# BLACKOUT SYSTEM BUILD-IN



## SPECIFICATIONS

CASSETTE	Aluminium plate sealed as per the project specifications.
BOTTOM BAR	Extruded aluminium, 20 x 41 mm.
SIDE BAR	Extruded aluminium, 62 x 27 mm.
PROFILE COLOUR	Standard RAL 9010 or anodised. Special RAL colours can be provided.
TEXTILE	PVC-coated fibreglass. Colour and quality according to collection.
OPERATION	Wand or 230V motor.
GUIDING DIMENSIONS	Wand interior:      Max. width 280 cm      Max. height 250 cm. Motor:                Max. width 340 cm      Max. height 325 cm. Maximum width can be increased for motorised units by serial coupling of several units.