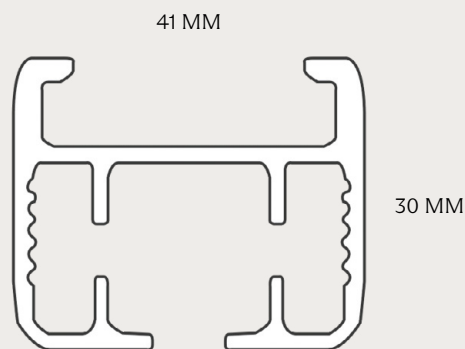


# PROFILE 4130 GLYDEA MOTORISED



*Fischer*<sup>®</sup>

## ATTACHMENTS

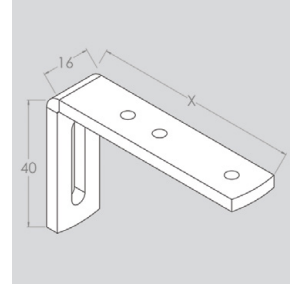


Ceiling bracket

Other attachments: On request.



Track glider



Wall mounting bracket  
X= 3,5,7,9,12,14,16,20 cm

## SPECIFICATIONS

RAIL	Extruded aluminium.		
DIMENSIONS	Width 41 mm, height 30 mm.		
SYSTEM COLOUR	Standard RAL 9010 and RAL 9005. RAL special colour is available on request.		
MAXIMUM WIDTH	6 meters (depending on fabric weight). See load capacity.		
OPERATION	Motorised.		
CURTAIN WEIGHT	Medium to heavy.		
MIN. BENDING RADIUS	Cannot be bent or rolled.		
LOAD CAPACITY*	35W/35 RTS motor:	Length 3 m: 20 kg	length 6 m: 35 kg.
	60W/45-60RTS motor:	Length 3 m: 25 kg	length 6 m: 45 kg.

\*Straight curtain rail