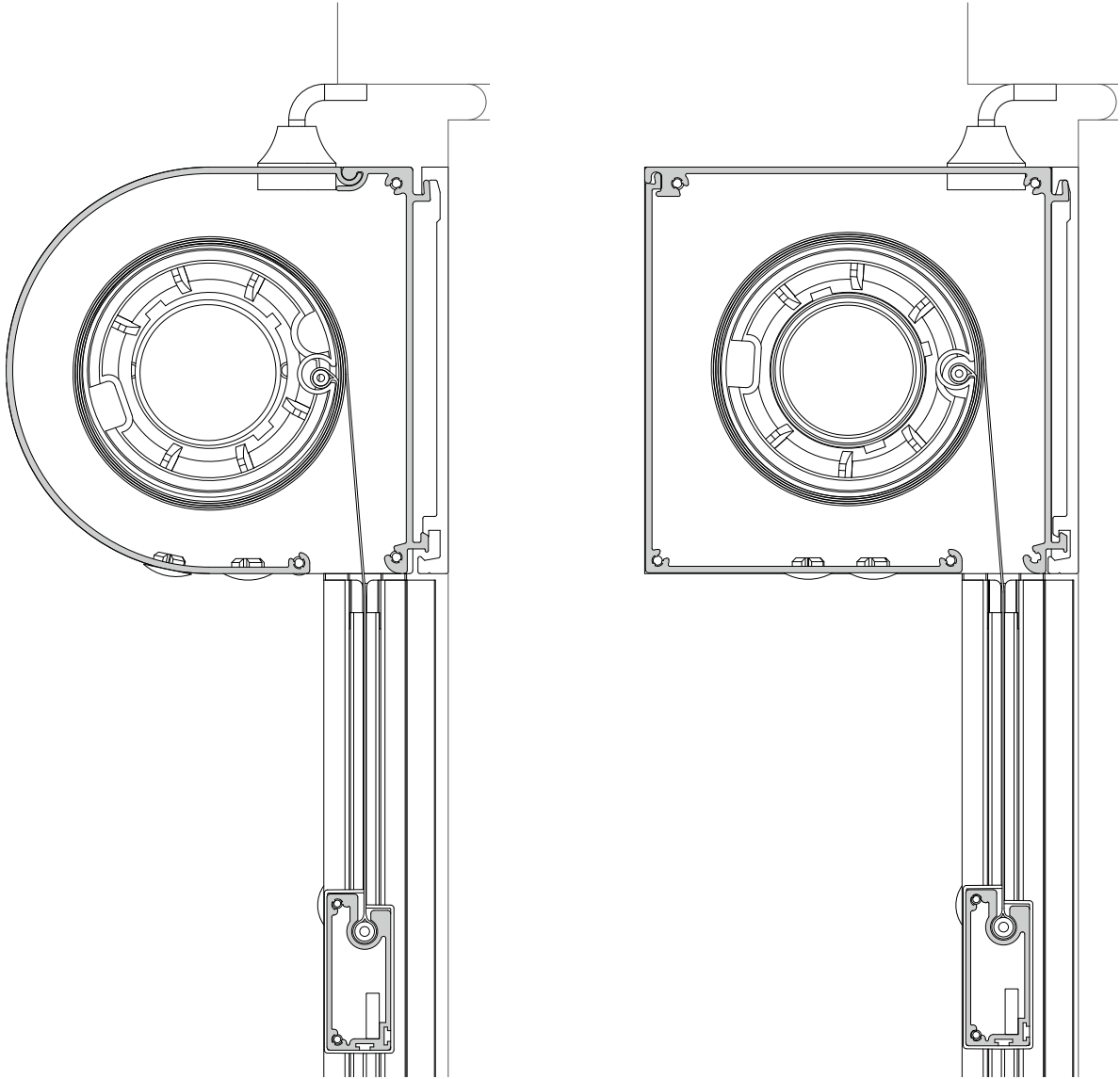


SCREEN ZIP SZ 125



Fischer[®]

SCREEN ZIP SZ 125



SPECIFICATIONS

CASSETTE	Extruded aluminium, D-shaped and square, H: 125 mm, D: 134 mm.	
BOTTOM BAR	Extruded aluminium, 20 x 48 mm.	
SIDE BAR	Extruded aluminium, 35 x 34 mm.	
SYSTEM COLOUR	ANODISED: Natural, WHITE: RAL 9010 gloss 70, WHITE: RAL 9010 textured, BLACK: RAL 9005 gloss 70, BLACK: RAL 9005 textured or ANTHRACITE: Noir 2100 Sable. RAL special colours are available on request.	
TEXTILE	PVC-coated fibreglass. Colour according to collection.	
OPERATION	230V motor.	
MOUNTING	Brackets or self-supporting*.	
GUIDING DIMENSIONS	Motor:	
	Max. width 450 cm**	max. height 450 cm
	Max. width 600 cm**	max. height 300 cm
	Max. width 300 cm**	max. height 600 cm

* Self-supporting up to 350 x 350 cm

**Maximum width can be expanded by serially coupling multiple units, although this is limited to a maximum of two systems and with size limitations.