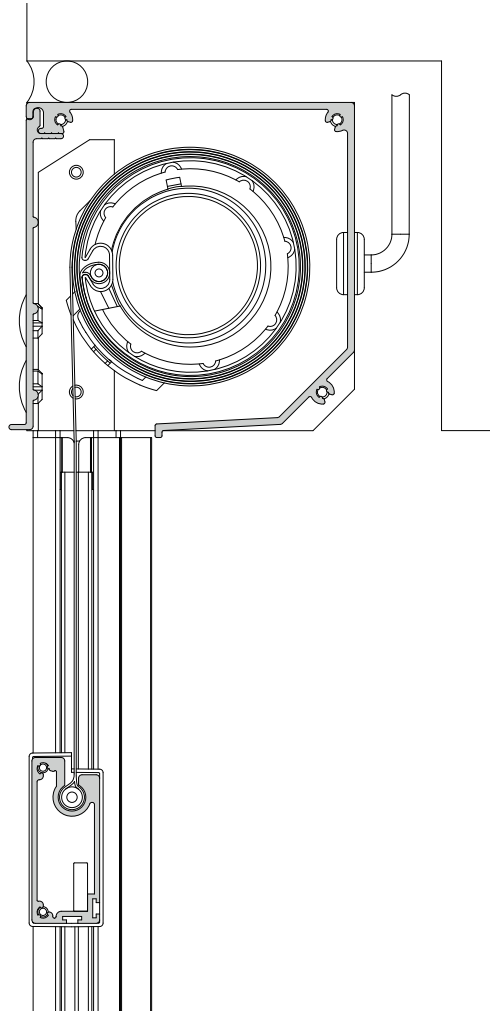


# SCREEN ZIP SZ 95 ov



*Fischer*<sup>®</sup>

## SCREEN ZIP SZ 95 ov



### SPECIFICATIONS

CASSETTE	Extruded aluminium, square, H: 95 mm, D: 95 mm. Opens for service at the front. The cassette is mounted above the window.
BOTTOM BAR	Extruded aluminium, 20 x 48 mm.
SIDE BAR	Extruded aluminium, 35 x 34 mm.
SYSTEM COLOUR	ANODISED: Natural, WHITE: RAL 9010 gloss 70, WHITE: RAL 9010 textured, BLACK: RAL 9005 gloss 70, BLACK: RAL 9005 textured or ANTHRACITE: Noir 2100 Sable. RAL special colours are available on request.
TEXTILE	PVC-coated fibreglass. Colour according to collection.
OPERATION	230V motor.
MOUNTING	Self-supporting.
GUIDING DIMENSIONS	Motor: Max width 300 cm, max height 260 cm.