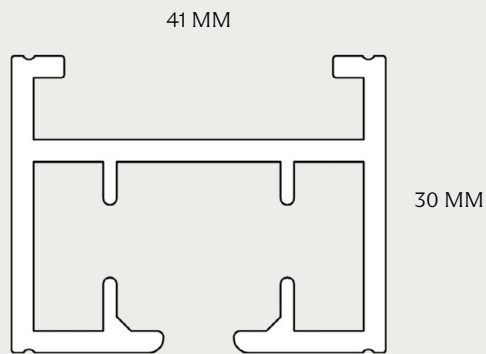


PROFILE 3226



Fischer[®]

ATTACHMENTS



Ceiling bracket

Other attachments: On request.



Track glider



Wall mounting bracket
Extra strong

SPECIFICATIONS

RAIL	Extruded aluminium.			
DIMENSIONS	Width 32 mm, height 26 mm.			
SYSTEM COLOUR	Standard RAL 9010 or silver. RAL special colour is available on request.			
MAXIMUM WIDTH	16 metres (depending on fabric weight). See load capacity.			
EXTENSION	With connecting joint.			
OPERATION	Manual via chain pull or motorised.			
CURTAIN WEIGHT	Medium to heavy.			
MIN. BENDING RADIUS	35 cm, 50 cm for motorisation.			
LOAD CAPACITY MANUAL CHAIN PULL*	Length 6 m: 20 kg.			
LOAD CAPACITY 30W MOTOR*	Length 6 m: 40 kg	length 10 m: 35 kg	length 12 m: 30 kg	length 16 m: 25 kg.
LOAD CAPACITY 45W MOTOR*	Length 6 m: 45 kg	length 10 m: 40 kg	length 12 m: 35 kg	length 16 m: 30 kg.
LOAD CAPACITY 60W MOTOR*	Length 6 m: 60 kg	length 10 m: 50 kg	length 12 m: 40 kg	length 16 m: 30 kg.
LOAD CAPACITY 30W TANDEM MOTOR*	Length 6 m: 50 kg	length 10 m: 45 kg	length 12 m: 35 kg	length 16 m: 30 kg.
LOAD CAPACITY 45W TANDEM MOTOR*	Length 6 m: 60 kg	length 10 m: 55 kg	length 12 m: 40 kg	length 16 m: 35 kg.

*Straight curtain rail. Capacity is reduced for bent and rolled rods.