

ACOUSTIC WALL PANELS



KURAGE

www.kurage.com

CREATING MASTERPIECES WITH ACOUSTIC WALL PANELS

ACOUSTIC WALL PANELS offer a blend of function and form, transforming any space into an acoustic and visual masterpiece. With three specially designed models, our panels are crafted to enhance the auditory experience while also adding a visual element to your walls. These panels serve not only as sound absorbers but also as an aesthetic complement to the existing decor, combining practicality with artistic expression to elevate the ambience of any room. Whether in a professional setting or a personal space, our Acoustic Wall Panels are an ideal solution for achieving superior sound quality and a touch of elegance.

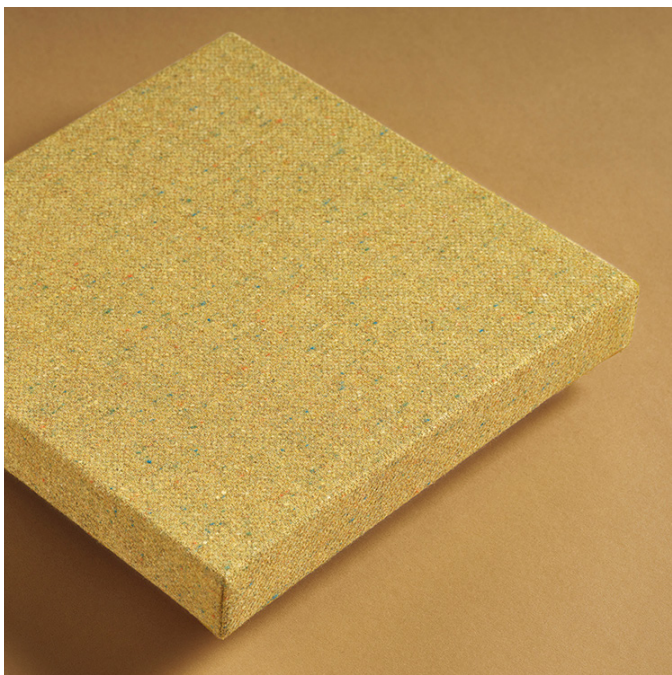


MODELS

Explore our range of Acoustic Wall Panel models: Basic, RE-cover, and Motion, designed to refine your space both acoustically and visually.

BASIC

The Basic model offers a classic square shape with clean lines, complete with a permanent cover for a straightforward and stable acoustic solution. Its timeless design ensures a seamless fit into any decor, providing a consistent and maintenance-free option for those seeking simplicity and durability.



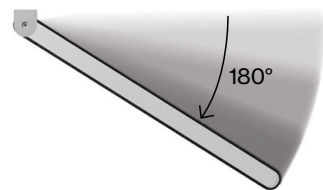
RE-COVER

RE-cover brings versatility to the fore with its lightweight and practical removable cover, available with either rounded or square edges. This model combines convenience with customisability, allowing for easy maintenance and the ability to refresh the look as desired.



MOTION

The Motion model introduces a dynamic component that can be rotated 180 degrees, allowing for versatile positioning to create a defined 'space' or to optimise sound absorption. Featuring elegant aluminium trims at the top and bottom, Motion adds both a decorative and functional element to the environment. With rounded edges and a detachable cover, Motion is designed for those who value flexibility and a modern, fluid aesthetic.



COLLECTION

For all Kurage acoustic products we have meticulously selected several distinct types of textiles, each presenting a palette of colours to match your aesthetic and design needs. Listed are the names of the textiles available in our collection: Dotty, Woolen, Converted Melange, Quest, In the Dark, In the Dark Melange, Wonder, Carlow, Meta and Blue collection.



MATERIALS

In crafting our Acoustic Wall Panels, we employ only the finest materials to ensure durability, performance, and aesthetic appeal:

FRAMES, TRIMS AND BRACKETS, RE-COVER AND MOTION:

Constructed or extruded from 100% aluminium, providing a sturdy and elegant framework that complements any space.

FRAMES, BASIC:

Constructed in wood.

ACOUSTIC CORE:

Comprised of stone wool/mineral wool, made from natural materials. This core is essential for the screens' superior sound-absorbing capabilities, effectively managing acoustics in a variety of environments.

TEXTILE COVERS:

Our covers are available in a variety of textiles, primarily consisting of polyester or a blend of wool, available in various colours and material compositions as per our collection.

Both RE-cover and Motion models incorporate sewn-in elastic to ensure the removable textile cover remains taut and neatly in place, enhancing both functionality and visual appeal.

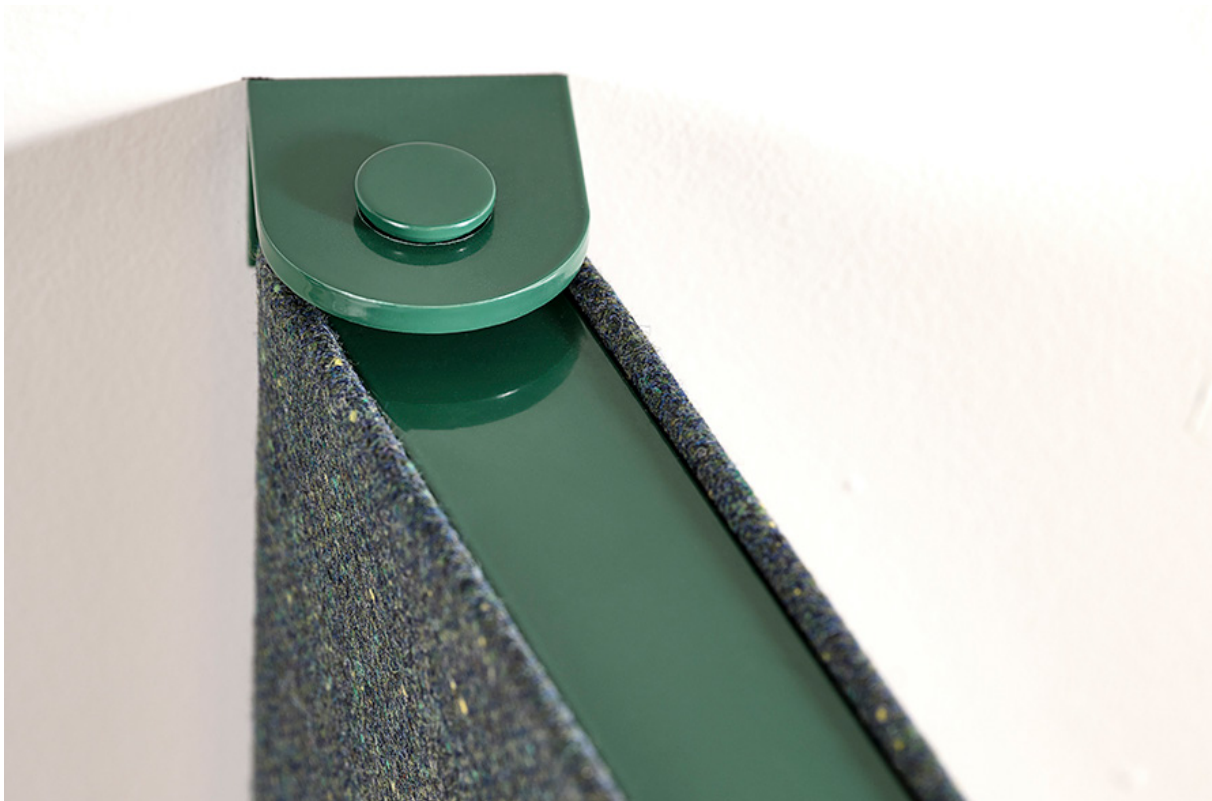


METAL COLOURS

Motion top and bottom trims comes in a standard sleek silver anodised aluminium finish, alongside ten additional design colours for optimal customisation. Brackets are only available in the ten design colours. This range ensures that Motion not only offer superior acoustic performance but also seamlessly match any design aesthetic or branding needs. The design colours with RAL codes are as follows:

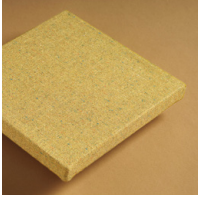


| | | | | | | | | | | |
|----------|---------------|--------------|---------------|-------------------|--------------------|----------------|----------------|-------------|------------------|---------------|
| Anodised | White 9003 | Grey 7042 | Black 9005 | Dark blue 5003 | Dark green 6028 | Yellow 1018 | Orange 2009 | Red 3028 | Rust red 3009 | Okker 1024 |
|----------|---------------|--------------|---------------|-------------------|--------------------|----------------|----------------|-------------|------------------|---------------|

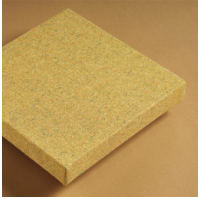


PRODUCT SPECIFICATION

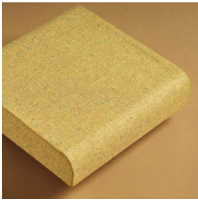
WALL PANEL BASIC

| | MODEL SIZE | MAX. WIDTH | MAX. HEIGHT |
|---|-------------------------------|------------|-------------|
|  | 30 Thickness: 30 mm | 120 cm | 240 cm |
| | 40 Thickness: 40 mm | 120 cm | 240 cm |
| | 50 Thickness: 50 mm | 120 cm | 240 cm |


WALL PANEL RE-COVER SQUARE

| | MODEL SIZE | MAX. WIDTH | MAX. HEIGHT |
|--|-------------------------------|------------|-------------|
|  | 30 Thickness: 31 mm | 120 cm | 240 cm |
| | 50 Thickness: 61 mm | 120 cm | 240 cm |

WALL PANEL RE-COVER ROUNDED

| | MODEL SIZE | MAX. WIDTH | MAX. HEIGHT |
|---|-------------------------------|------------|-------------|
|  | 50 Thickness: 61 mm | 120 cm | 240 cm |

WALL PANEL MOTION

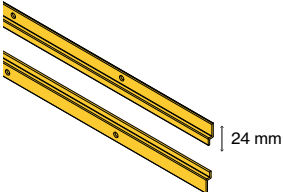
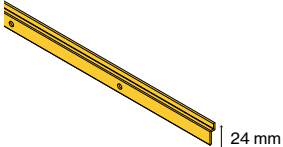
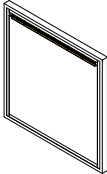
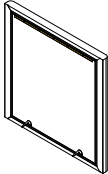
| | MODEL SIZE | MAX. WIDTH | MAX. HEIGHT |
|---|-------------------------------|------------|-------------|
|  | 50 Thickness: 54 mm | 100 cm | 200 cm |

ACCESSORIES

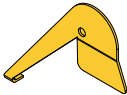
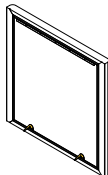
Enhance your Acoustic Wall Panel installation with our selection of tailored accessories, ensuring a seamless and secure setup. We have the following types of installation accessories available:

- **MOUNTING RAILS:** Dedicated mounting rails for a simple and sturdy installation and a clean, unobstructed aesthetic.
- **SECURING BRACKETS:** An essential addition for enhanced stability, this bracket ensures the RE-cover panel cannot be lifted from its mount and maintains a flush alignment against the wall, securing your acoustic solution in place.
- **WALL BRACKET:** The customised wall bracket for the Motion model facilitates the panel's unique rotating feature, enabling smooth movement and infinite angular positions to fine-tune your acoustic environment.

MOUNTING RAIL

| BASIC | RE-COVER | MOTION |
|---|---|--------|
|  |  | |
| art. no. 3010 | art. no. 3000 | |
|  |  | |

SECURING BRACKET

| BASIC | RE-COVER | MOTION |
|-------|---|--------|
| |  | |
| | art. no. 3001 | |
| |  | |

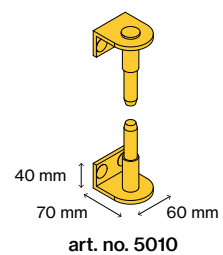
ACCESSORIES

WALL BRACKET

BASIC

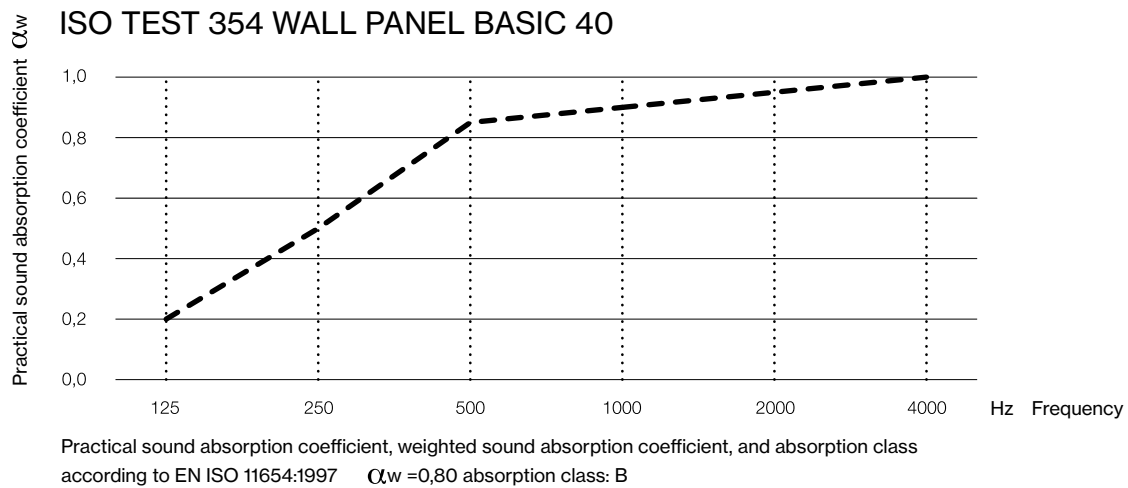
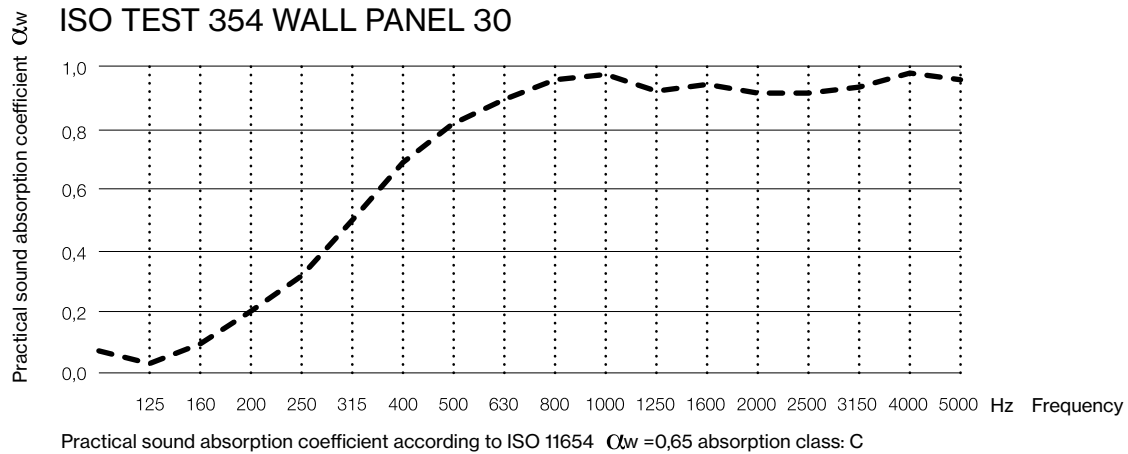
RE-COVER

MOTION



ACOUSTIC PROPERTIES

The ISO TEST 354 graphs showcases the impressive sound absorption of our Acoustic Wall Panels, highlighting their ability to improve room acoustics across various frequencies for a quieter and more focused environment.



ACOUSTIC PROPERTIES

